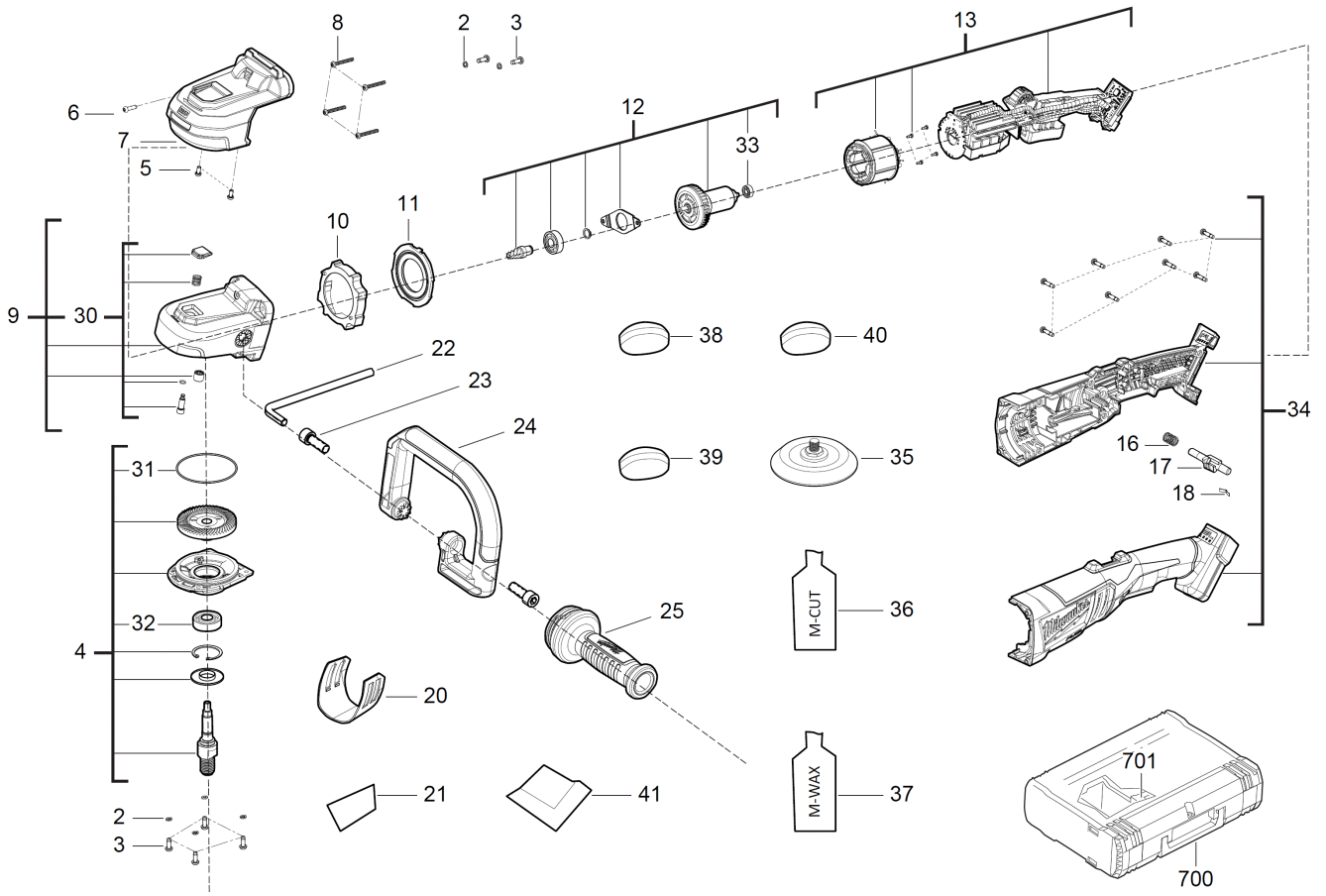


# M18FAP180-0X BTY. POLISHER XXX

4933451552 - M18FAP180-0X - 4000456845





| Position | Quantity | Description                      | Part number                   | EAN           |
|----------|----------|----------------------------------|-------------------------------|---------------|
| 0002 1   | 6        | SCREW                            | 661113007                     | 4002395824502 |
| 0003 2   | 6        | PROTECTION WASHER                | 680866003                     | 4002395823895 |
| 0004 3   | 1        | GEARWHEEL SET                    | 4931454026                    | 4002395283354 |
| 0005 4   | 2        | SCREW                            | Item discontinued(4931454027) |               |
| 0006 5   | 1        | SCREW                            | 660414013                     | 4002395823796 |
| 0007 6   | 1        | GEAR BOX COVER                   | 4931454028                    | 4002395283378 |
| 0008 7   | 4        | SCREW                            | 4931435023                    | 4002395857302 |
| 0009 8   | 1        | GEAR BOX ASSY                    | Item discontinued(4931454029) |               |
| 0010 9   | 1        | AIR DEFLECTOR RING               | 4931454030                    | 4002395283392 |
| 0011 10  | 1        | SPACER                           | 4931454031                    | 4002395280605 |
| 0012 11  | 1        | ARMATURE                         | 4931454032                    | 4002395280612 |
| 0013 12  | 1        | ELECTRIC COMPLETE                | 4931454033                    | 4002395280629 |
| 0016 13  | 1        | SPRING                           | 4931454034                    | 4002395280636 |
| 0017 14  | 1        | LOCK RELEASE KIT                 | 4931454035                    | 4002395280643 |
| 0018 15  | 1        | SPRING PLATE                     | 4931452341                    | 4002395172528 |
| 0020 16  | 1        | FILTER                           | 4931454036                    | 4002395280650 |
| 0021 17  | 1        | RATING PLATE                     | 4931454037                    | 4002395280667 |
| 0022 18  | 1        | HEXAGON SOCKET                   | 4931454038                    | 4002395280674 |
| 0023 19  | 2        | SCREW                            | 4931454039                    | 4002395280681 |
| 0024 20  | 1        | SPEED HANDLE                     | 4931454040                    | 4002395280698 |
| 0025 21  | 1        | AUXILIARY HANDLE                 | 4931435002                    | 4002395855919 |
| 0030 22  | 1        | SPINDLE LOCK                     | 4931454041                    | 4002395281305 |
| 0031 23  | 1        | O-RING                           | Item discontinued(4931454042) |               |
| 0032 24  | 1        | BALL BEARING                     | 4931446467                    | 4002395875733 |
| 0033 25  | 1        | BALL BEARING                     | 4931436014                    | 4002395875399 |
| 0034 26  | 1        | HOUSING                          | 4931454043                    | 4002395281329 |
| 0035 27  | 1        | Polish Back Pad M14 HL 125mm-1pc | 4932430394                    | 4002395380558 |
| 0036 28  | 1        | Polish M-Cut 1500 250ml-1pc      | 4932430475                    | 4002395381364 |
| 0037 29  | 1        | Polish M-Wax 6000 250ml-1pc      | 4932430476                    | 4002395381371 |
| 0038 30  | 1        | Polish Disc Lambw HL 135mm-1pc   | 4932430395                    | 4002395380565 |
| 0039 31  | 1        | Polish Sponge Hard HL 145mm-1pc  | Item discontinued(4932430396) |               |
| 0040 32  | 1        | Polish Sponge Soft HL 145mm-1pc  | Item discontinued(4932430397) |               |
| 0041 33  | 1        | Polish Cloth Microfibre-1pc      | 4932430398                    | 4002395380596 |
| 0700 34  | 1        | HD Box 3 - 1pc                   | 4932453386                    | 4002395143634 |
| 0701 35  | 1        | INSERT                           | 4931454044                    | 4002395281336 |